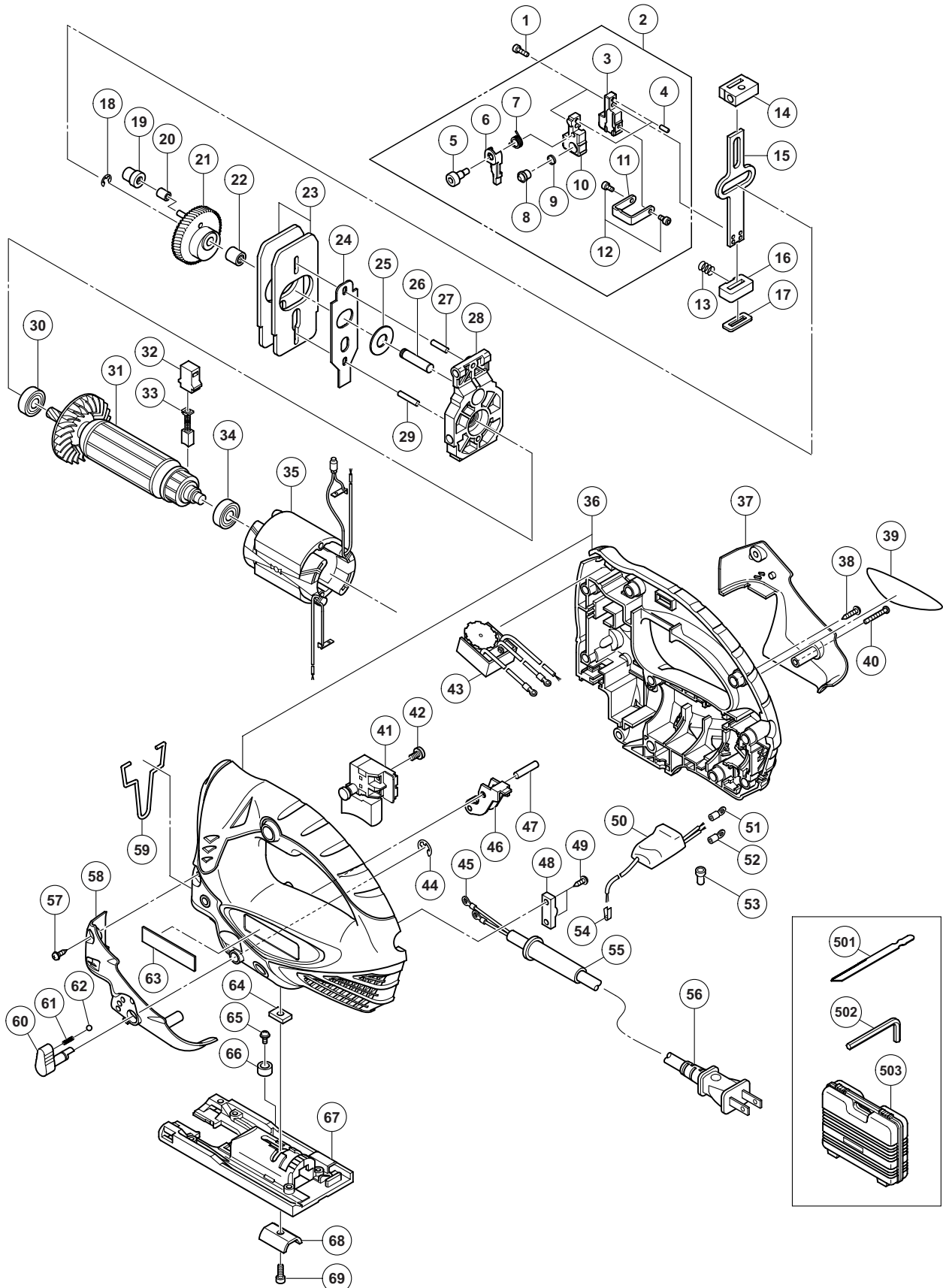


## ELECTRIC TOOL PARTS LIST

### JIG SAW Model CJ 90VST

2010·6·14  
(E1)



**PARTS**

CJ 90VST

| ITEM NO. | CODE NO. | DESCRIPTION                              | NO. USED | REMARKS   |
|----------|----------|--|----------|---|
| 1        | 332-446  | SEAL LOCK HEX. SOCKET HD. BOLT M3 X 10   | 2        |   |
| 2        | 332-443  | BLADE HOLDER ASS'Y                       | 1        | INCLUD. 3-12                                      |
| 3        | 332-429  | BLADE HOLDER (A)                         | 1        |   |
| 4        | 332-436  | PIN D3                                   | 2        |   |
| 5        | 332-434  | SPECIAL BOLT M4                          | 1        |   |
| 6        | 332-432  | LEVER (A)                                | 1        |   |
| 7        | 332-438  | SPRING (D)                               | 1        |   |
| 8        | 332-435  | HOLDER PIN (B)                           | 1        |   |
| 9        | 332-439  | SPRING (B)                               | 1        |   |
| 10       | 332-430  | BLADE HOLDER (B)                         | 1        |   |
| 11       | 332-426  | HOLDER PLATE                             | 1        |   |
| 12       | 325-077  | SEAL LOCK HEX. SOCKET HD. BOLT M3 X 6    | 2        |   |
| 13       | 332-437  | SPRING                                   | 1        |   |
| 14       | 332-427  | PLUNGER HOLDER (A)                       | 1        |   |
| 15       | 332-422  | PLUNGER                                  | 1        |   |
| 16       | 332-428  | PLUNGER HOLDER (B)                       | 1        |   |
| 17       | 332-441  | PACKING                                  | 1        |   |
| 18       | 994-251  | RETAINING RING FOR D7 SHAFT              | 1        |   |
| 19       | 332-829  | CONNECTING PIECE (A)                     | 1        |   |
| 20       | 325-242  | NEEDLE BEARING                           | 1        |   |
| 21       | 332-445  | GEAR                                     | 1        |   |
| 22       | 332-983  | NEEDLE BEARING                           | 1        |   |
| 23       | 332-424  | BALANCE WEIGHT                           | 2        |   |
| 24       | 332-423  | ORBITAL CAM                              | 1        |   |
| 25       | 957-540  | WASHER (A)                               | 1        |   |
| 26       | 332-828  | SPINDLE                                  | 1        |   |
| 27       | 998-426  | NEEDLE ROLLER                            | 1        |   |
| 28       | 332-444  | GEAR HOLDER ASS'Y                        | 1        | INCLUD. 26, 27, 29                                |
| 29       | 943-364  | NEEDLE ROLLER D4 X 20                    | 1        |   |
| 30       | 608-VVM  | BALL BEARING 608VVC2PS2L                 | 1        |   |
| * 31     | 360-893C | ARMATURE 110V                            | 1        |   |
| * 31     | 360-893U | ARMATURE ASS'Y 120V-127V                 | 1        | INCLUD. 30, 34 FOR USA                            |
| * 31     | 360-893E | ARMATURE 220V-240V                       | 1        |   |
| 32       | 955-203  | BRUSH HOLDER                             | 2        |   |
| 33       | 999-041  | CARBON BRUSH (1 PAIR)                    | 2        |   |
| 34       | 608-VVM  | BALL BEARING 608VVC2PS2L                 | 1        |   |
| * 35     | 340-773C | STATOR 110V                              | 1        |   |
| * 35     | 340-774C | STATOR 110V                              | 1        | FOR TPE, GBR (110V)                               |
| * 35     | 340-773D | STATOR 120V                              | 1        | FOR USA   |
| * 35     | 340-774E | STATOR 220V-240V                         | 1        |   |
| * 35     | 340-773E | STATOR 220V-240V                         | 1        | FOR BRA, PAN (220V), THA, INA, SIN, HKG, KUW, IND |
| 36       | 332-442  | HOUSING (A). (B) SET                     | 1        |   |
| 37       | 332-419  | SIDE COVER (B)                           | 1        |   |
| 38       | 301-653  | TAPPING SCREW (W/FLANGE) D4 X 20 (BLACK) | 8        |   |
| 39       |          | NAME PLATE                               | 1        |   |
| 40       | 332-447  | MACHINE SCREW M4 X 30 (BLACK)            | 1        |   |
| 41       | 325-085  | SWITCH (E) (1P SCREW TYPE) W/LOCK        | 1        | INCLUD. 42  |
| 42       | 305-499  | MACHINE SCREW (W/WASHER) M3.5 X 6        | 4        |   |
| * 43     | 332-831  | CONTROLLER 110V                          | 1        |   |

**PARTS**

CJ 90VST

| ITEM NO. | CODE NO. | DESCRIPTION                              | NO. USED | REMARKS   |
|----------|----------|--|----------|---|
| * 43     | 332-834  | CONTROLLER 120V-127V                     | 1        | FOR USA   |
| * 43     | 332-832  | CONTROLLER 220V-230V                     | 1        |   |
| * 43     | 332-833  | CONTROLLER 240V                          | 1        |   |
| 44       | 673-489  | RETAINING RING (E-TYPE) FOR D5 SHAFT     | 1        |   |
| 45       | 980-063  | TERMINAL                                 | 2        |   |
| 46       | 332-448  | ROLLER HOLDER                            | 1        |   |
| 47       | 332-433  | NEEDLE ROLLER                            | 1        |   |
| 48       | 960-266  | CORD CLIP                                | 1        |   |
| 49       | 984-750  | TAPPING SCREW (W/FLANGE) D4 X 16         | 2        |   |
| * 50     | 332-835  | VARISTOR                                 | 1        | FOR TPE, NZL, AUS, GBR, SAF, EUROPE,<br>FIN, NOR, SWE, DEN, AUT, TUR, SUI, CHN, LIB |
| * 51     | 311-741  | TERMINAL                                 | 1        | FOR TPE, NZL, AUS, GBR, SAF, EUROPE,<br>FIN, NOR, SWE, DEN, AUT, TUR, SUI, CHN, LIB |
| 52       | 960-356  | TERMINAL (A) M3.5 (10 PCS.)              | 1        |   |
| 53       | 959-140  | CONNECTOR 50091 (10 PCS.)                | 1        |   |
| * 54     | 302-488  | EARTH TERMINAL                           | 1        | FOR TPE, NZL, AUS, GBR, SAF, EUROPE,<br>FIN, NOR, SWE, DEN, AUT, TUR, SUI, CHN, LIB |
| * 55     | 930-487  | CORD ARMOR D8.2                          | 1        |   |
| * 55     | 930-026  | CORD ARMOR D10.2                         | 1        |   |
| * 56     | 500-234Z | CORD                                     | 1        | (CORD ARMOR D8.2)   |
| * 56     | 500-247Z | CORD                                     | 1        | (CORD ARMOR D8.2) FOR FIN, NOR, SWE, DEN  |
| * 56     | 500-240Z | CORD                                     | 1        | (CORD ARMOR D8.2) FOR USA, CAN,<br>PAN (120V), MEX                                  |
| * 56     | 500-439Z | CORD                                     | 1        | (CORD ARMOR D8.2) FOR NZL, AUS  |
| * 56     | 500-455Z | CORD                                     | 1        | (CORD ARMOR D8.2) FOR THA, CHN  |
| * 56     | 500-450Z | CORD                                     | 1        | (CORD ARMOR D8.2) FOR GBR (230V), HKG   |
| * 56     | 500-423Z | CORD                                     | 1        | (CORD ARMOR D8.2) FOR SIN, KUW  |
| * 56     | 323-974  | CORD                                     | 1        | (CORD ARMOR D10.2) FOR VEN, TPE   |
| * 56     | 500-461Z | CORD                                     | 1        | (CORD ARMOR D8.2) FOR GBR (110V)  |
| * 56     | 500-447Z | CORD                                     | 1        | (CORD ARMOR D8.2) FOR SUI   |
| * 56     | 500-487Z | CORD                                     | 1        | (CORD ARMOR D8.2) FOR BRA   |
| 57       | 325-083  | TAPPING SCREW (W/FLANGE) D4 X 12 (BLACK) | 2        |   |
| 58       | 332-418  | SIDE COVER (A)                           | 1        |   |
| 59       | 332-440  | GUARD BAR                                | 1        |   |
| 60       | 332-421  | CHANGE KNOB                              | 1        |   |
| 61       | 982-454  | SPRING (C)                               | 1        |   |
| 62       | 959-155  | STEEL BALL D3.97 (10 PCS.)               | 1        |   |
| 63       |          | HITACHI LABEL                            | 1        |   |
| 64       | 332-425  | PLATE NUT                                | 1        |   |
| 65       | 315-500  | MACHINE SCREW (W/WASHER) M4 X 8 (BLACK)  | 1        |   |
| 66       | 321-576  | RUBBER BUSHING                           | 1        |   |
| 67       | 321-573  | BASE                                     | 1        |   |
| 68       | 321-575  | BASE LOCKER                              | 1        |   |
| 69       | 949-821  | HEX. SOCKET HD. BOLT M5 X 16 (10 PCS.)   | 1        |   |
|          |          |  |          |   |
|          |          |  |          |   |
|          |          |  |          |   |
|          |          |  |          |   |
|          |          |  |          |   |

**STANDARD ACCESSORIES**

CJ 90VST

| ITEM NO. | CODE NO. | DESCRIPTION                    | NO. USED | REMARKS  |
|----------|----------|--------------------------------|----------|--|
| 501      | 879-357  | JIG SAW BLADES NO. 41 (5 PCS.) | 1        |  |
| 502      | 944-458  | HEX. BAR WRENCH 4MM            | 1        |  |
| * 503    | 332-420  | CASE                           | 1        | EXCEPT FOR VEN, TPE, THA, INA,<br>SIN, HKG, KUW, CHN, IND, LIB |
|          |          |                                |          |  |
|          |          |                                |          |  |
|          |          |                                |          |  |
|          |          |                                |          |  |
|          |          |                                |          |  |
|          |          |                                |          |  |

**OPTIONAL ACCESSORIES**

| ITEM NO. | CODE NO. | DESCRIPTION                                | NO. USED | REMARKS     |
|----------|----------|--|----------|-------------|
| 601      | 879-336  | JIG SAW BLADES NO. 11 (5 PCS.)             | 1        |             |
| 602      | 879-337  | JIG SAW BLADES NO. 12 (5 PCS.)             | 1        |             |
| 603      | 879-338  | JIG SAW BLADES NO. 15 (5 PCS.)             | 1        |             |
| 604      | 879-339  | JIG SAW BLADES NO. 16 (5 PCS.)             | 1        |             |
| 605      | 879-340  | JIG SAW BLADES NO. 21 (5 PCS.)             | 1        |             |
| 606      | 879-341  | JIG SAW BLADES NO. 22 (5 PCS.)             | 1        |             |
| 607      | 963-400  | JIG SAW BLADES NO. 97 FOR STAINLESS (5PCS) | 1        |             |
| 608      | 321-593  | GUIDE                                      | 1        |             |
| 609      | 321-992  | SUB BASE (A) SET (STEEL)                   | 1        | INCLUD. 611 |
| 610      | 321-993  | SUB BASE (B) SET (PLASTIC)                 | 1        | INCLUD. 611 |
| 611      | 321-996  | SPECIAL BOLT                               | 4        |             |
| 612      | 321-591  | DUST COLLECTOR                             | 1        |             |
| 613      | 325-149  | GREASE (MOLUB-ALLOY NO. 777-1) 75G         | 1        |             |
| 614      | 321-590  | TABLE INSERT                               | 1        |             |
|          |          |  |          |             |
|          |          |  |          |             |
|          |          |  |          |             |
|          |          |  |          |             |
|          |          |  |          |             |
|          |          |  |          |             |
|          |          |  |          |             |
|          |          |  |          |             |
|          |          |  |          |             |
|          |          |  |          |             |
|          |          |  |          |             |
|          |          |  |          |             |
|          |          |  |          |             |
|          |          |  |          |             |
|          |          |  |          |             |
|          |          |  |          |             |